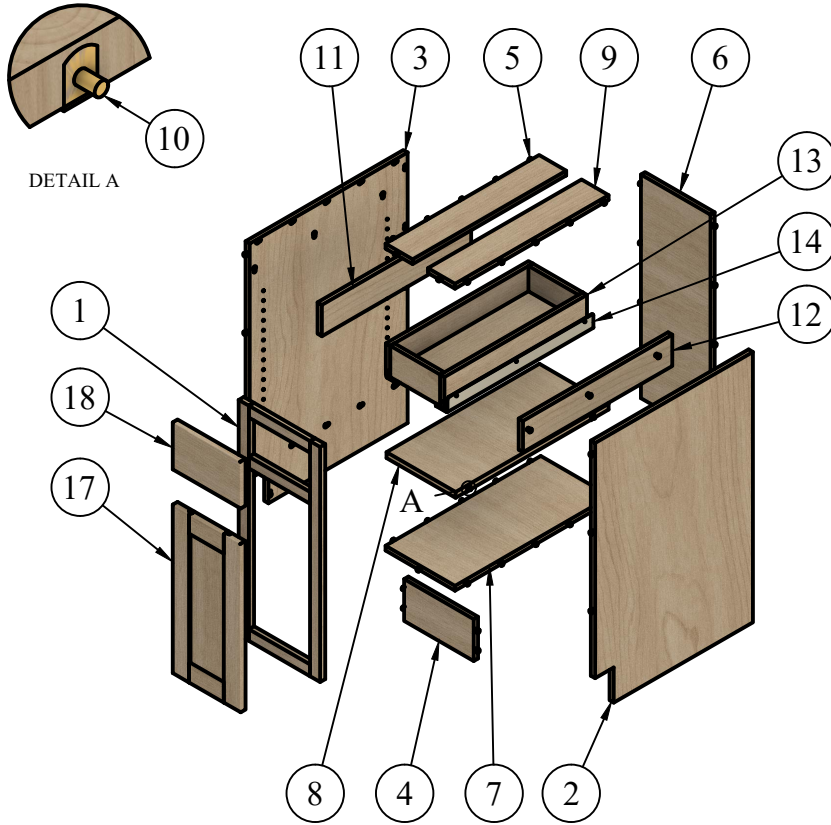




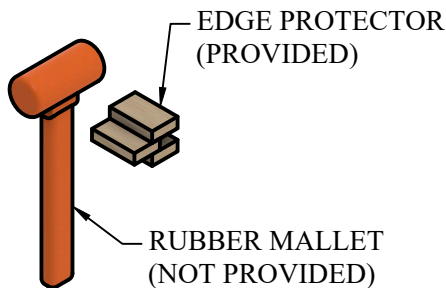
PARTS LIST

ITEM	QTY	PART NUMBER
1	1	FRONT FACE ASSEM
2	1	FINISHED RIGHT END
3	1	FINISHED LEFT END
4	1	TOE KICK ASSEM
5	1	WEB FRAME 1
6	1	BACK ASSEM
7	1	DECK ASSEM
8	1	SHELF ASSEM
9	1	WEB FRAME 2
10	4	5MM SHELF BRACKET
11	1	DRAWER SUPPORT 1
12	1	DRAWER SUPPORT 2
13	1	DRAWER ASSEM V3
14	1	21" KING SLIDE
15	1	RUBBER Mallet
16	1	SIDE PROTECTION DEVICE
17	1	CABINET DOOR
18	1	DRAWER FRONT

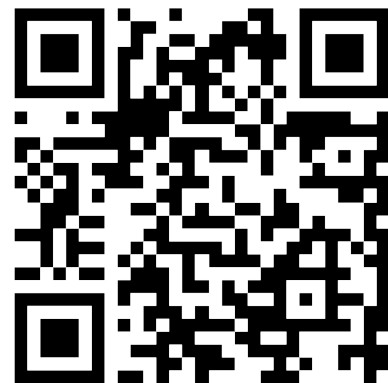


Want more?
**Assembly
 Video**

TOOLS REQUIRED

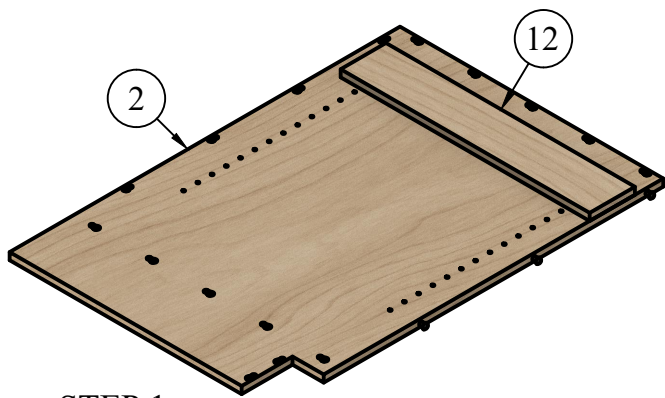


*To protect the edges of your plywood components during assembly, we've included a **EDGE PROTECTOR** in your package. This guard is designed to be placed on the side of components that will be moved into the Peanut Slots and locked into place using a rubber mallet.*

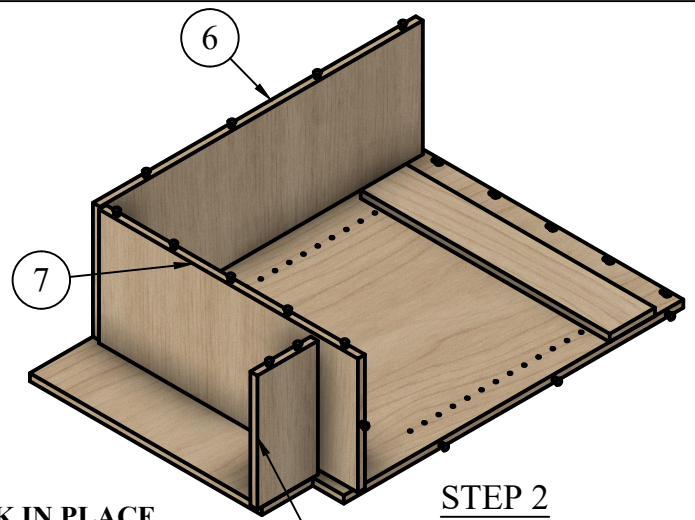


Don't struggle with assembly - scan this QR code to access our helpful animation guide on youtube.





STEP 1



STEP 2

ASSEMBLY STEPS

STEP 1: POSITION (12) WITHIN (2) AND **LOCK IN PLACE**

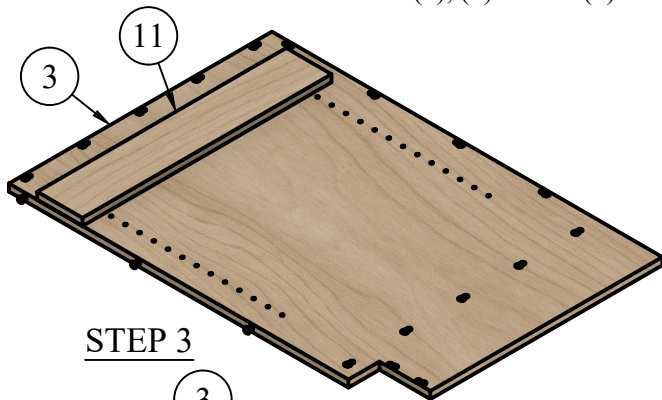
STEP 2: POSITION (4), (6), AND (7) WITHIN (2).

DO NOT LOCK IN PLACE UNTIL STEP 4.

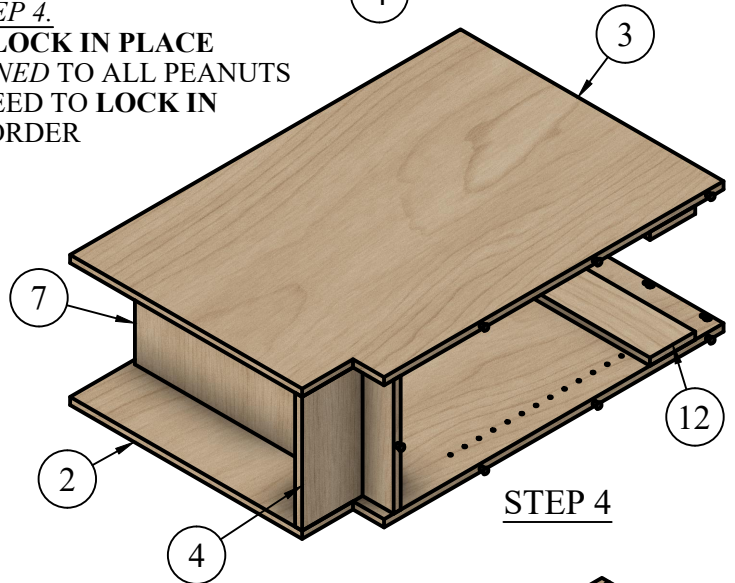
STEP 3: POSITION (11) WITHIN (3) AND **LOCK IN PLACE**

STEP 4: WITH THE RIGHT SIDE *POSITIONED* TO ALL PEANUTS

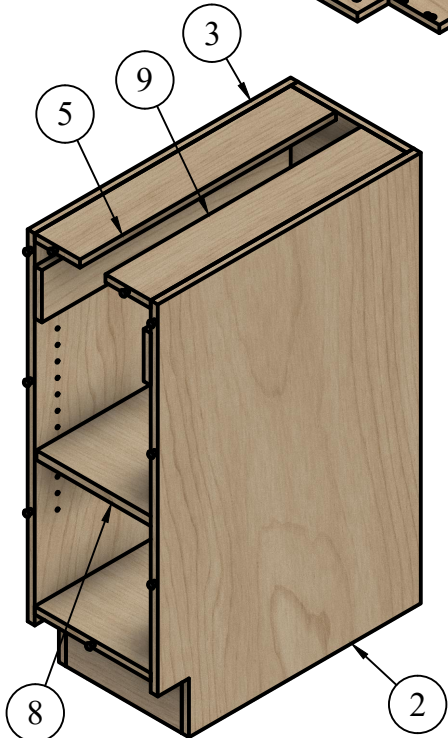
ON THE STEP 2 ASSEMBLY PROCEED TO **LOCK IN PLACE** (6), (7) THEN (4) IN THAT ORDER



STEP 3



STEP 4



STEP 5

ASSEMBLY STEPS (CONTINUED)

STEP 5: *POSITION* (9) WITHIN (2) AND **LOCK IN PLACE**

POSITION (5) WITHIN (3) AND **LOCK IN PLACE**

INSTALL 4x SHELF PINS (10) WITHIN (2) AND (3)

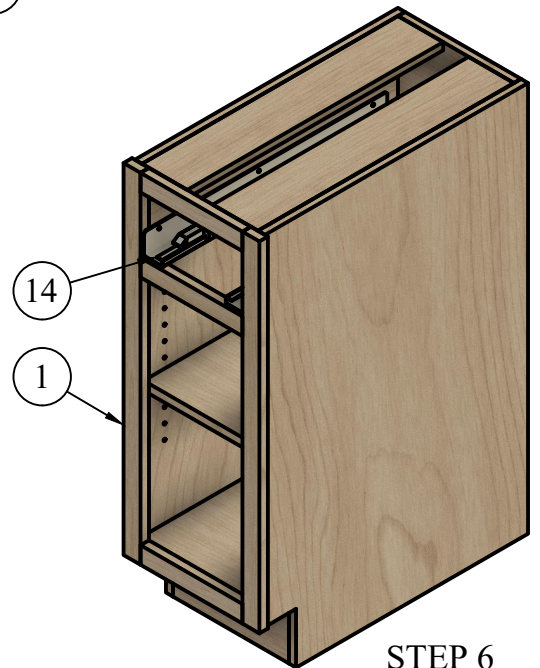
PLACE SHELF (8) AS DESIRED

STEP 6: WITH FACE FRAME

ASSEMBLY (1) *POSITIONED* TO ALL PEANUTS ON STEP 5

ASSEMBLY PROCEED TO **LOCK IN PLACE.**

INSTALL DRAWER GUIDES (14)



STEP 6

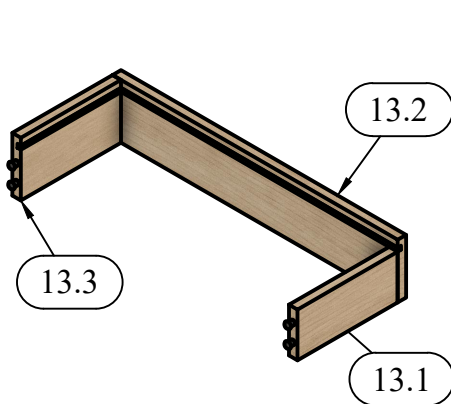


DRAWER ASSEMBLY STEPS

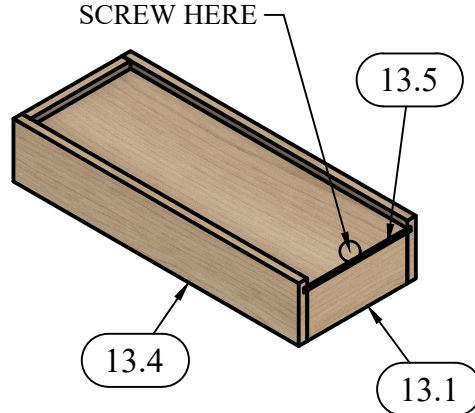
STEP 1: POSITION ENDS (13.3) AND (13.1) WITHIN (13.2) SIDE AND **LOCK IN PLACE**

STEP 2: POSITION SIDE (13.4) WITHIN ENDS (13.1) AND (13.3) FROM STEP 1 AND **LOCK IN PLACE**
SLIDE DRAWER BOTTOM (13.1) UNTIL FLUSH AND FASTEN WITH PROVIDED SCREW.

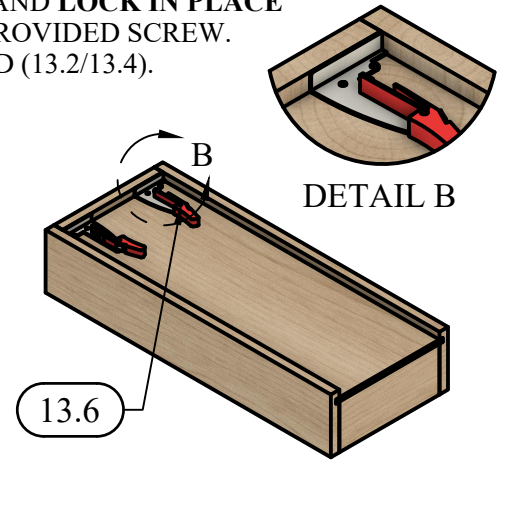
STEP 3: INSTALL UNDER MOUNT SLIDE CATCHES (13.6) AGAINST (13.3) AND (13.2/13.4).



STEP 1



STEP 2



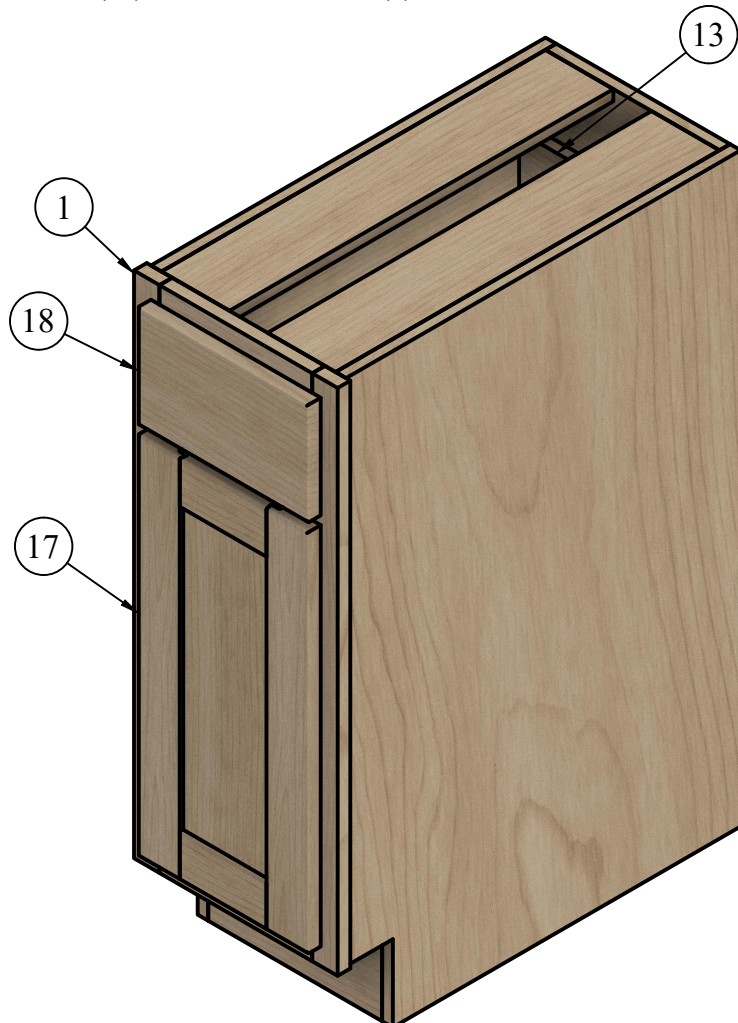
STEP 3

FINAL STEPS

STEP 1: SLIDE DRAWER BOX (13) INTO GUIDES

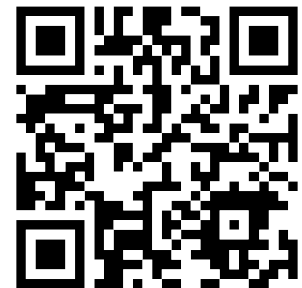
STEP 2: AFFIX DRAWER FRONT (18) TO DRAWER BOX (13).

STEP 3: USING PROVIDED HINGES INSTALL CABINET DOOR (17) TO FACE FRAME (1).



Feedback? Help?

Get in touch



Need help with your cabinet assembly? Scan this QR code to access our customer service page. We're here to provide top-notch support and find the best solution for your needs. Whether you have questions, encounter issues, or have feedback on our documentation, we're dedicated to listening and helping. Let us assist you in making the most of your Rigel Cabinetry experience!

