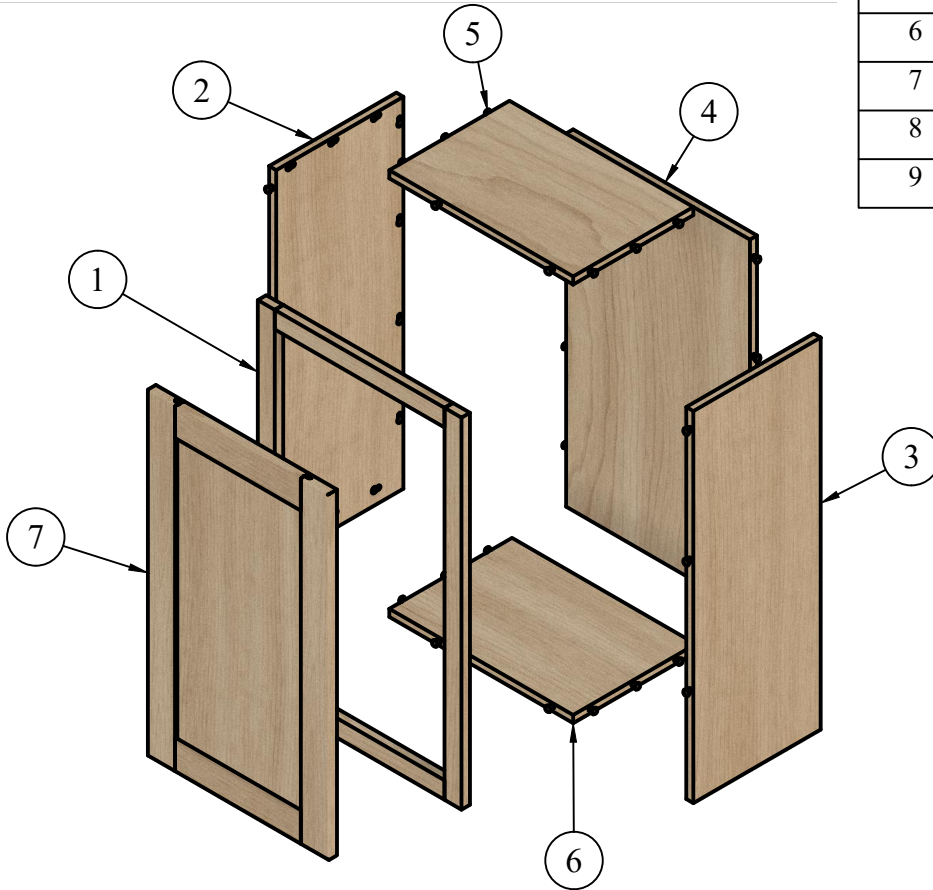


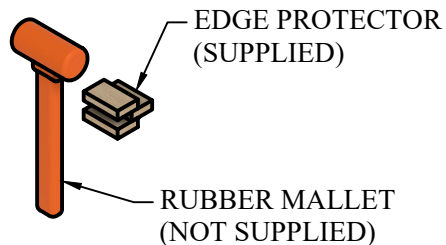


RIGEL CABINETY

PARTS LIST		
ITEM	QTY	PART NUMBER
1	1	FACE FRAME
2	1	FINISHED LEFT END
3	1	FINISHED RIGHT END
4	1	UNFINISHED BACK
5	1	TOP
6	1	BOTTOM
7	1	DOOR BUILDER V15
8	1	RUBBER MALLET
9	1	SIDE PROTECTION DEVICE

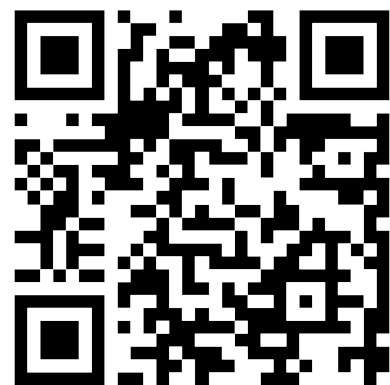


TOOLS REQUIRED



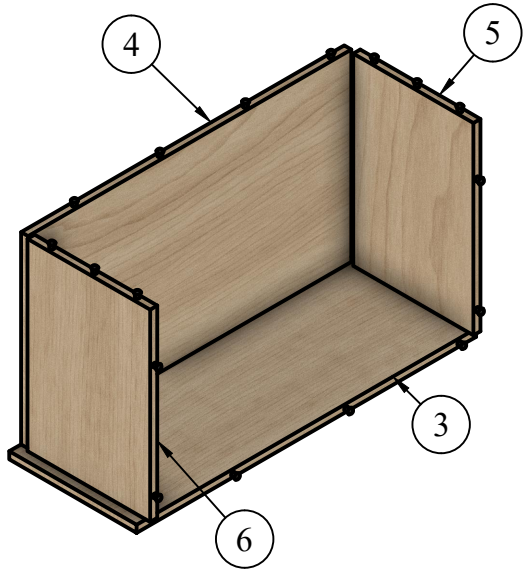
*To protect the edges of your plywood components during assembly, we've included a **EDGE PROTECTOR** in your package. This guard is designed to be placed on the side of components that will be moved into the Peanut Slots and locked into place using a rubber mallet.*

Want more?
**Assembly
Video**

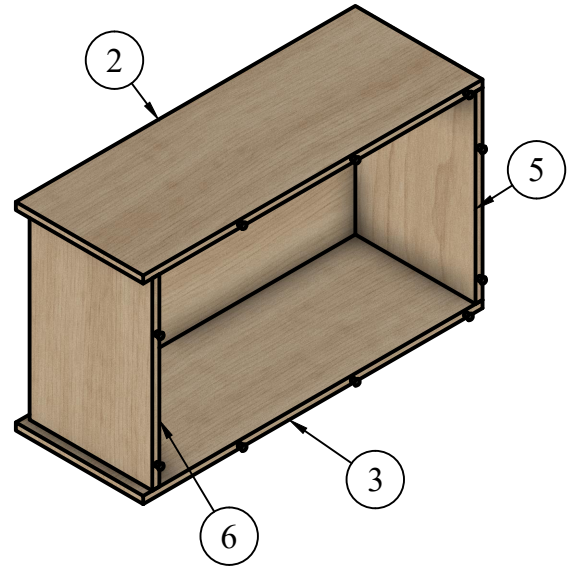


Don't struggle with assembly - scan this QR code to access our helpful animation guide on youtube.





STEP 1



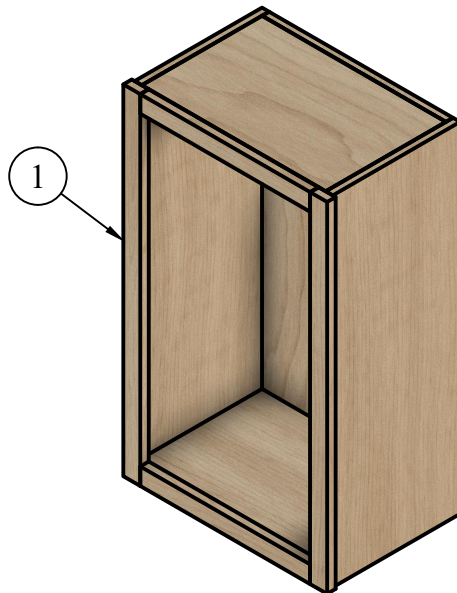
STEP 2

ASSEMBLY STEPS

STEP 1: POSITION (4), (6), AND (5) WITHIN (3).
DO NOT LOCK IN PLACE UNTIL STEP 2.

STEP 2: WITH THE RIGHT SIDE *POSITIONED* TO ALL PEANUTS ON THE STEP 2 ASSEMBLY PROCEED TO **LOCK IN PLACE** (4), (6) THEN (5) IN THAT ORDER

STEP 3: WITH FACE FRAME ASSEMBLY (1) *POSITIONED* TO ALL PEANUTS ON STEP 3 ASSEMBLY PROCEED TO **LOCK IN PLACE**.

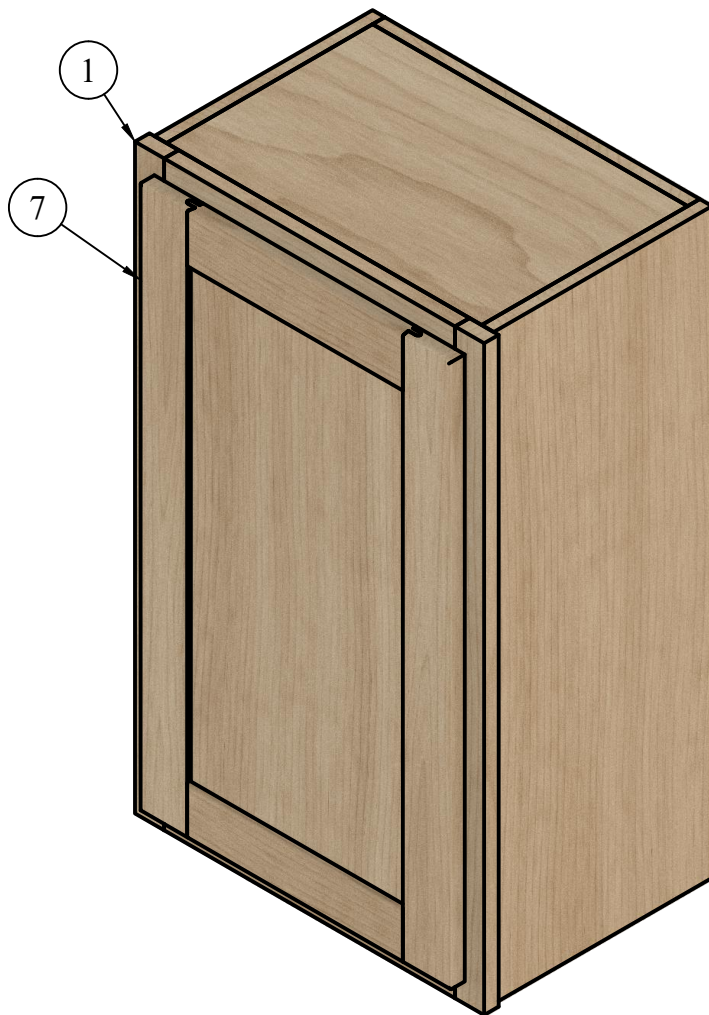


STEP 3



FINAL STEPS.

STEP 1: USING PROVIDED HINGES INSTALL CABINET DOOR (7) TO FACE FRAME (1).



Feedback? Help?

Get in touch



Need help with your cabinet assembly? Scan this QR code to access our customer service page. We're here to provide top-notch support and find the best solution for your needs. Whether you have questions, encounter issues, or have feedback on our documentation, we're dedicated to listening and helping. Let us assist you in making the most of your Rigel Cabinetry experience!

