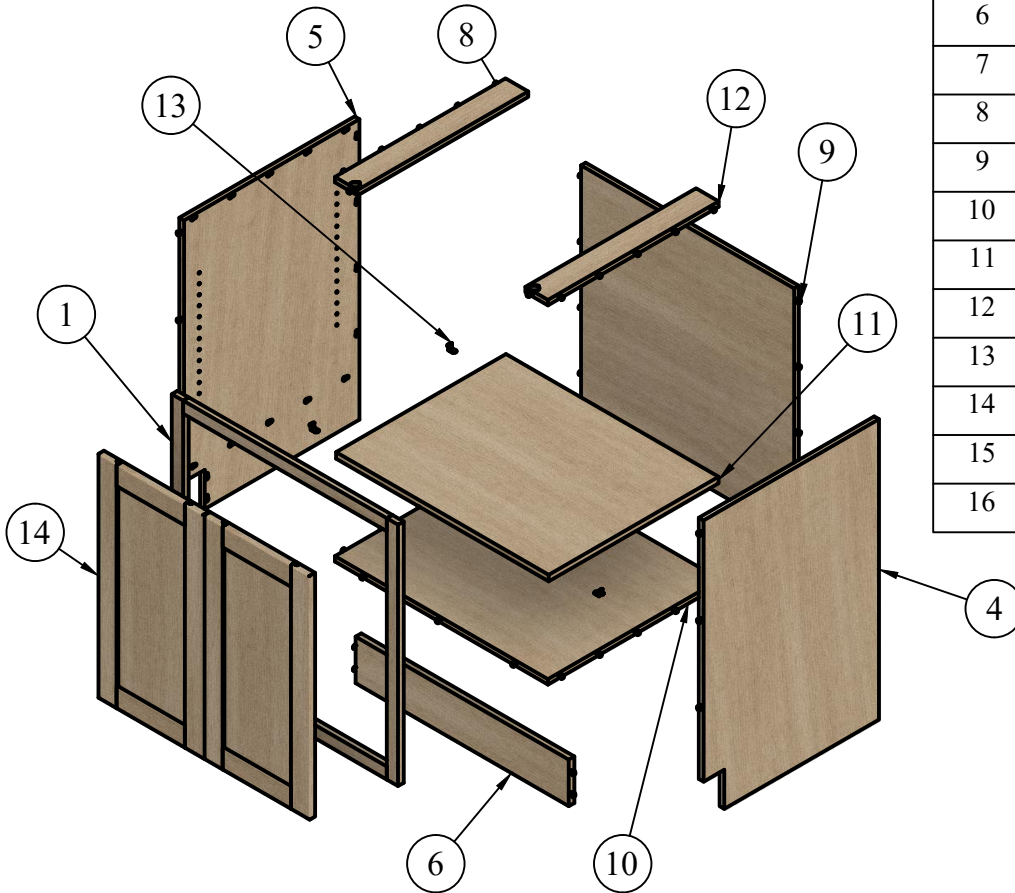


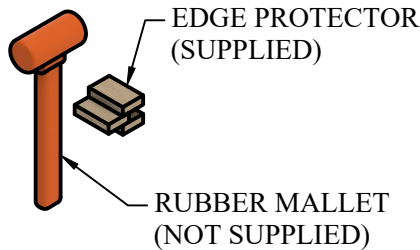


RIGEL CABINETY



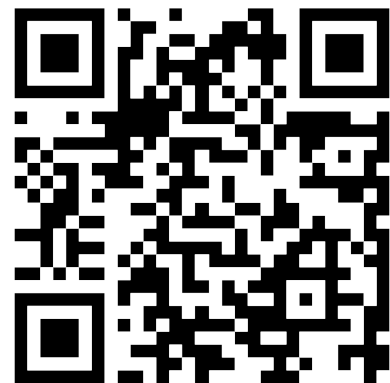
PARTS LIST		
ITEM	QTY	PART NUMBER
1	1	FRONT FACE ASSEM
2	1	DOOR ASSEM
3	1	SIDE ASSEM 1
4	1	FINISHED RIGHT END
5	1	FINISHED LEFT END
6	1	TOE KICK ASSEM
7	1	TOP STRUCTURE ASSEM
8	1	WEB FRAME 1
9	1	BACK ASSEM
10	1	DECK ASSEM
11	1	SHELF ASSEM
12	1	WEB FRAME 2
13	4	5MM SHELF BRACKET
14	2	DOOR BUILDER V9
15	1	RUBBER MALLET
16	1	SIDE PROTECTION DEVICE

TOOLS REQUIRED



*To protect the edges of your plywood components during assembly, we've included a **EDGE PROTECTOR** in your package. This guard is designed to be placed on the side of components that will be moved into the Peanut Slots and locked into place using a rubber mallet.*

Want more?
**Assembly
Video**



Don't struggle with assembly - scan this QR code to access our helpful animation guide on youtube.

INSTRUCTIONS FOR: B12, B15, B18, B21, B24

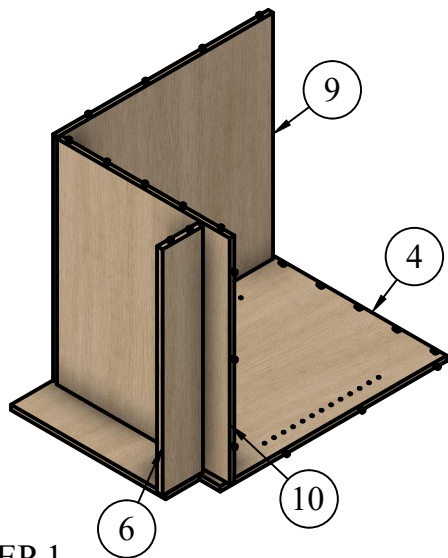
DOUBLE DOOR FULL HEIGHT BASE

RIGEL CABINETY

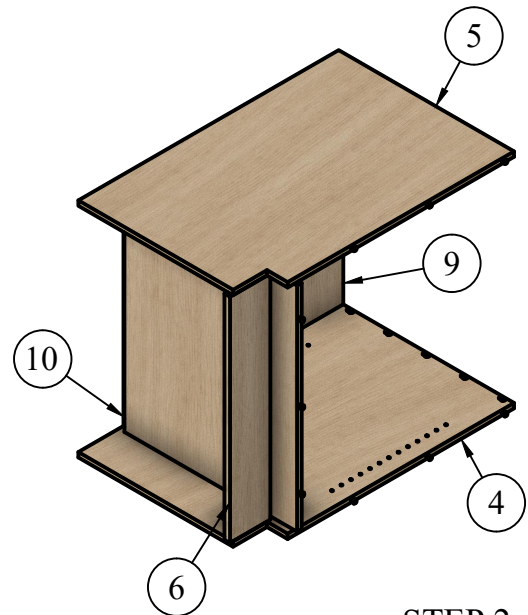
03/26/2023



REV 1



STEP 1



STEP 2

ASSEMBLY STEPS

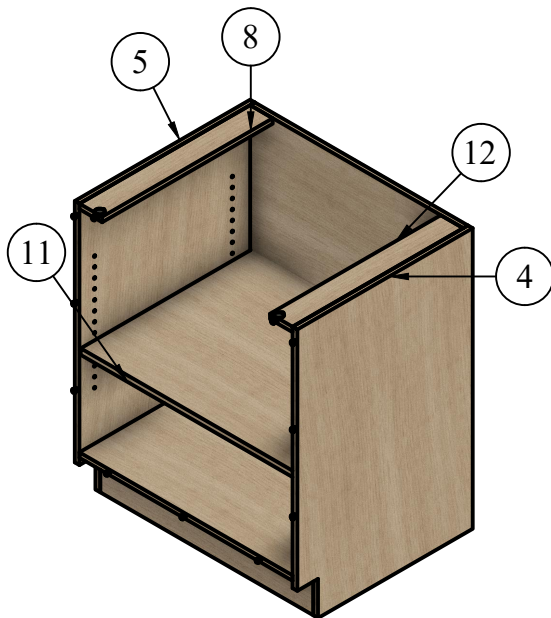
STEP 1: POSITION (9), (10), AND (6) WITHIN (4).

DO NOT LOCK IN PLACE UNTIL STEP 2.

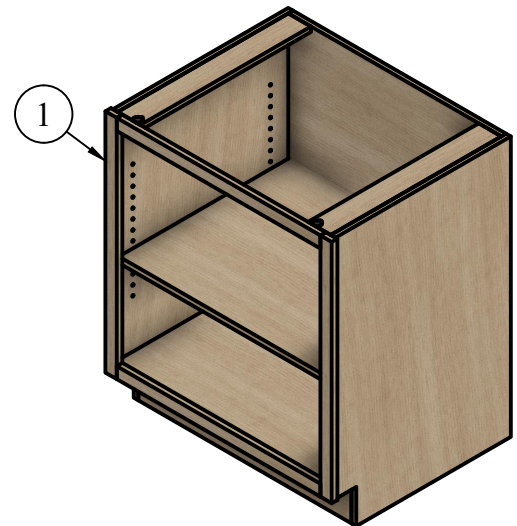
STEP 2: WITH THE RIGHT SIDE POSITIONED TO ALL PEANUTS ON THE STEP 2 ASSEMBLY PROCEED TO **LOCK IN PLACE** (9), (10) THEN (6) IN THAT ORDER

STEP 3: POSITION (8) WITHIN (5) AND **LOCK IN PLACE** POSITION (12) WITHIN (4) AND **LOCK IN PLACE** INSTALL 4x SHELF PINS (13) WITHIN (5) AND (4)

STEP 4: WITH FACE FRAME ASSEMBLY (1) POSITIONED TO ALL PEANUTS ON STEP 5 ASSEMBLY PROCEED TO **LOCK IN PLACE**.



STEP 3

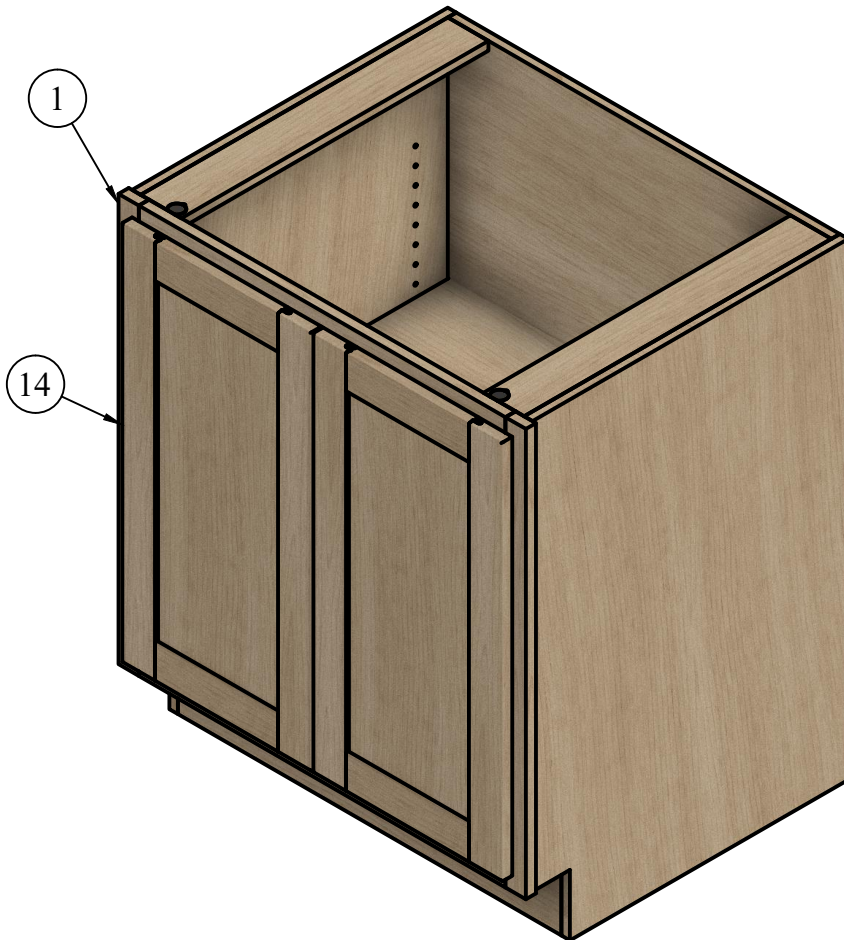


STEP 4



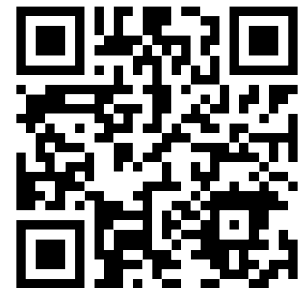
FINAL STEPS

STEP 1: USING PROVIDED HINGES INSTALL CABINET DOOR (14) TO FACE FRAME (1).



Feedback? Help?

Get in
touch



Need help with your cabinet assembly? Scan this QR code to access our customer service page. We're here to provide top-notch support and find the best solution for your needs. Whether you have questions, encounter issues, or have feedback on our documentation, we're dedicated to listening and helping. Let us assist you in making the most of your Rigel Cabinetry experience!

