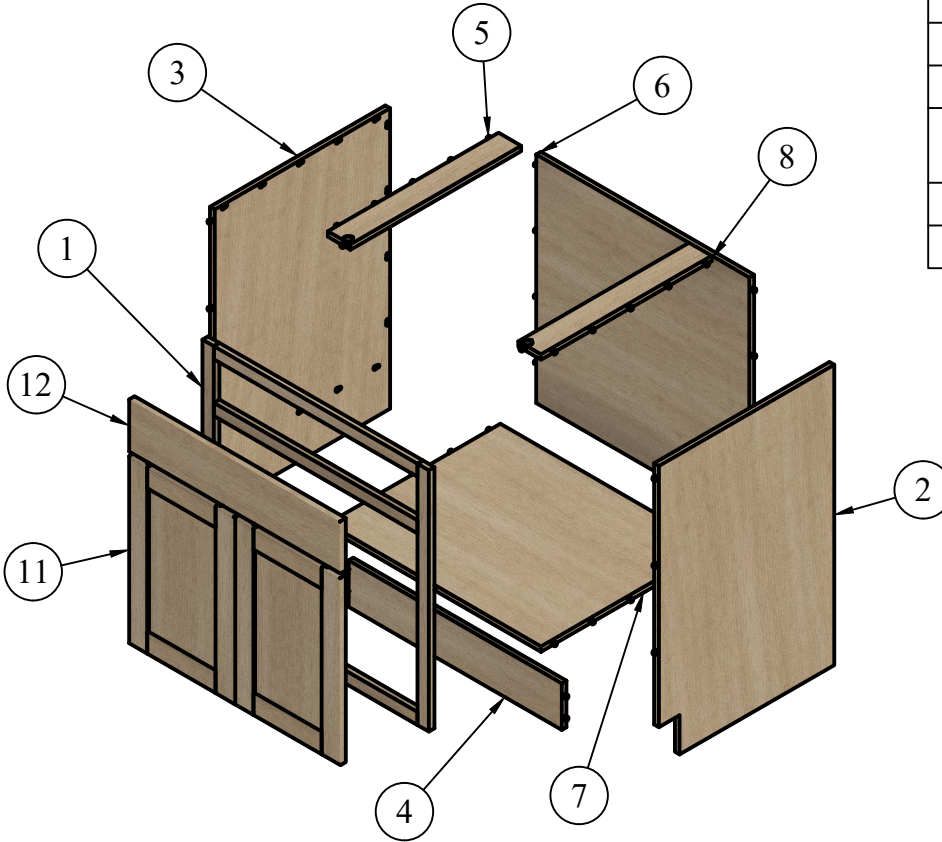
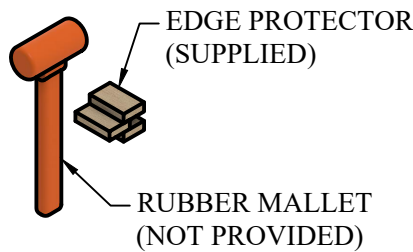




| PARTS LIST |     |                        |
|------------|-----|------------------------|
| ITEM       | QTY | PART NUMBER            |
| 1          | 1   | FRONT FACE ASSEM       |
| 2          | 1   | FINISHED RIGHT END     |
| 3          | 1   | FINISHED LEFT END      |
| 4          | 1   | TOE KICK ASSEM         |
| 5          | 1   | WEB FRAME 1            |
| 6          | 1   | BACK ASSEM             |
| 7          | 1   | DECK ASSEM             |
| 8          | 1   | WEB FRAME 2            |
| 9          | 1   | RUBBER MALLET          |
| 10         | 1   | SIDE PROTECTION DEVICE |
| 11         | 2   | DOOR BUILDER V9        |
| 12         | 1   | DRAWER FRONT V1        |

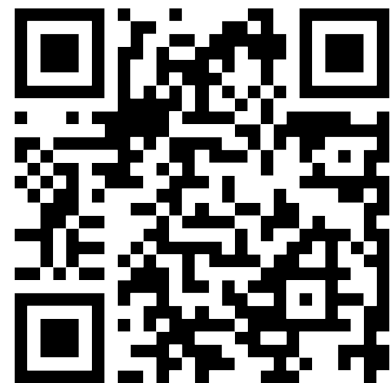


TOOLS REQUIRED



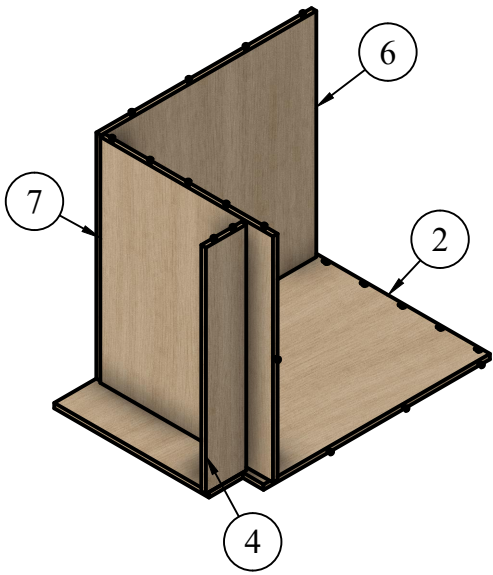
*To protect the edges of your plywood components during assembly, we've included a EDGE PROTECTOR in your package. This guard is designed to be placed on the side of components that will be moved into the Peanut Slots and locked into place using a rubber mallet.*

Want more?  
**Assembly  
 Video**

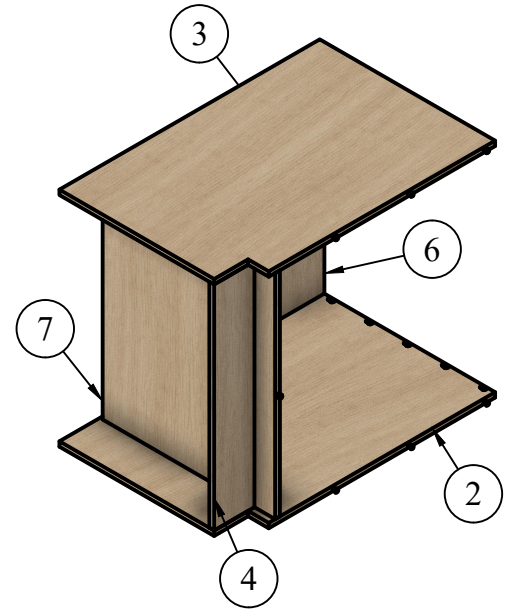


*Don't struggle with assembly - scan this QR code to access our helpful animation guide on youtube.*





STEP 1



STEP 2

**ASSEMBLY STEPS**

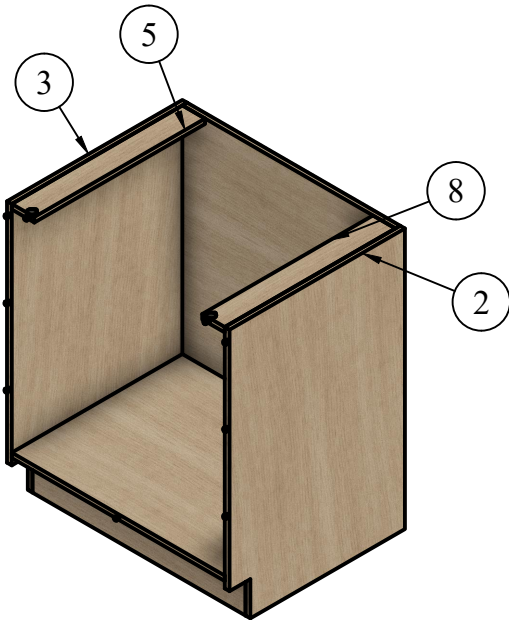
STEP 1: POSITION (6), (7), AND (4) WITHIN (2).

*DO NOT LOCK IN PLACE UNTIL STEP 2.*

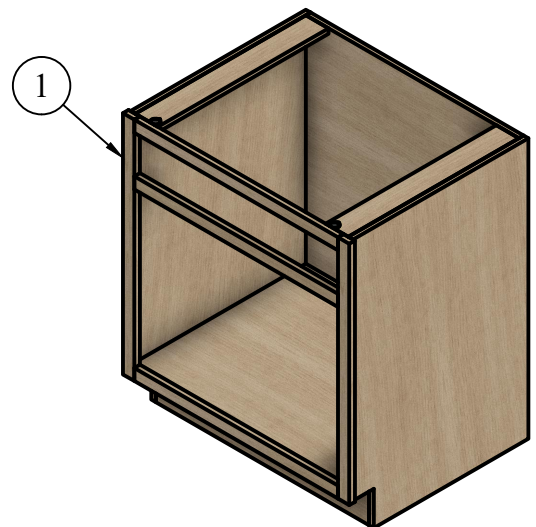
STEP 2: WITH THE RIGHT SIDE POSITIONED TO ALL PEANUTS ON THE STEP 2 ASSEMBLY PROCEED TO **LOCK IN PLACE** (6), (7) THEN (4) IN THAT ORDER

STEP 3: POSITION (5) WITHIN (3) AND **LOCK IN PLACE**  
POSITION (8) WITHIN (2) AND **LOCK IN PLACE**

STEP 4: WITH FACE FRAME ASSEMBLY (1) POSITIONED TO ALL PEANUTS ON STEP 5 ASSEMBLY PROCEED TO **LOCK IN PLACE.**



STEP 3



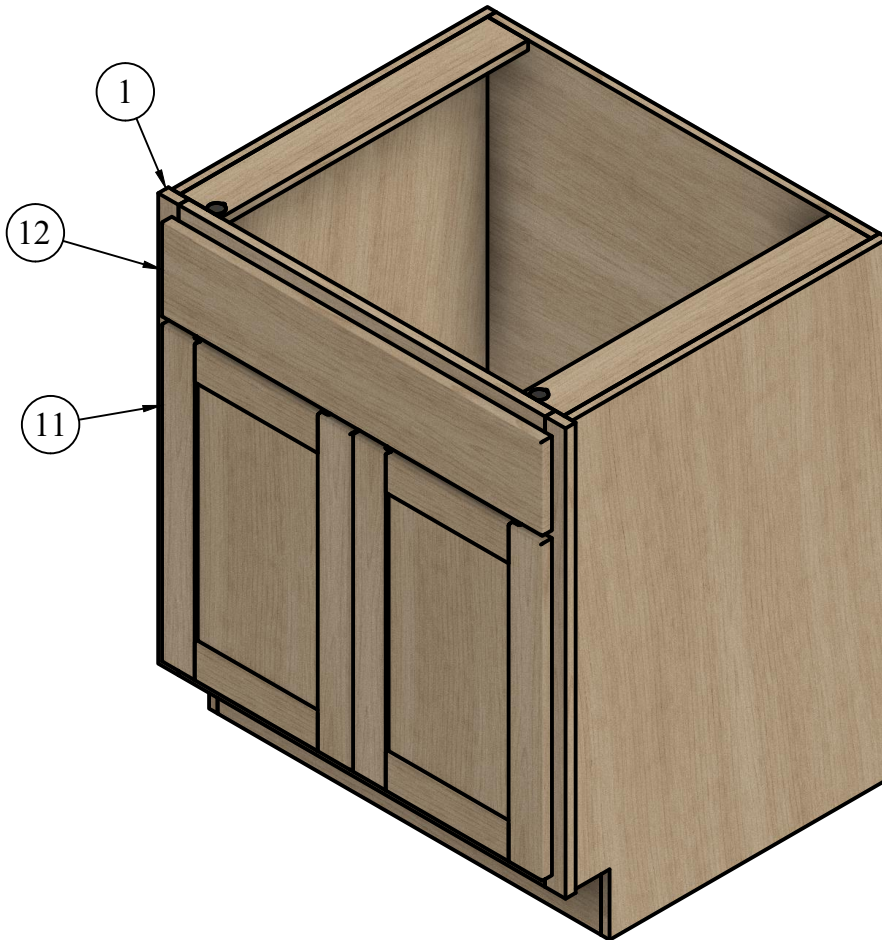
STEP 4



## FINAL STEPS

STEP 1: AFFIX DRAWER FRONT (12) TO FACE FRAME(1).

STEP 2: USING PROVIDED HINGES INSTALL CABINET DOOR (11) TO FACE FRAME (1).



Feedback? Help?

Get in  
touch



*Need help with your cabinet assembly? Scan this QR code to access our customer service page. We're here to provide top-notch support and find the best solution for your needs. Whether you have questions, encounter issues, or have feedback on our documentation, we're dedicated to listening and helping. Let us assist you in making the most of your Rigel Cabinetry experience!*

