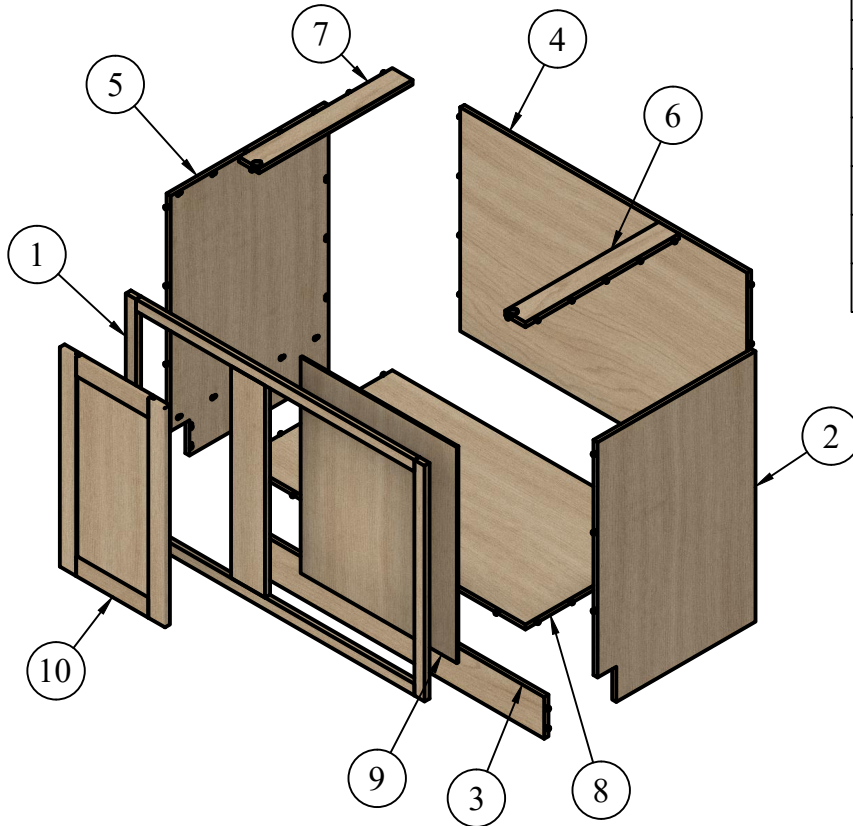


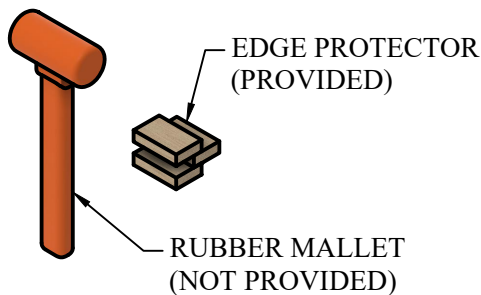


RIGEL CABINETY

PARTS LIST		
ITEM	QTY	PART NUMBER
1	1	FRONT FACE
2	1	LEFT FINISHED SIDE
3	1	TOE
4	1	UNFINISHED BACK
5	1	LEFT FINISHED SIDE(MIRROR)
6	1	WEB FRAME 1
7	1	WEB FRAME 1(MIRROR)
8	1	DECK
9	1	PANEL INSERT
10	1	DOOR BUILDER V17
11	1	RUBBER MALLET
12	1	SIDE PROTECTION DEVICE

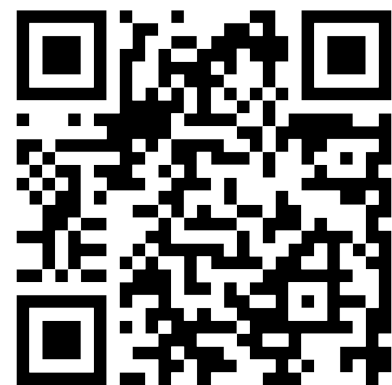


TOOLS REQUIRED



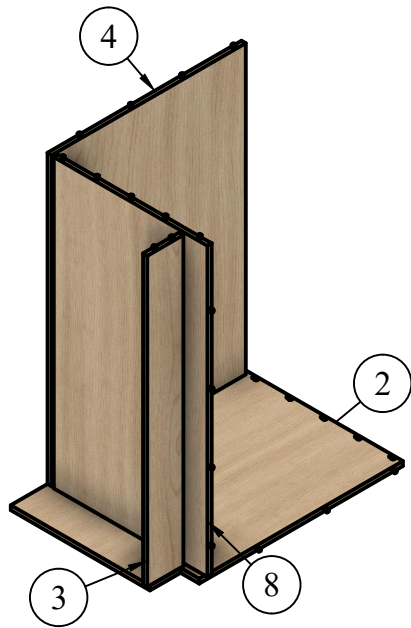
*To protect the edges of your plywood components during assembly, we've included a **EDGE PROTECTOR** in your package. This guard is designed to be placed on the side of components that will be moved into the Peanut Slots and locked into place using a rubber mallet.*

Want more?
**Assembly
Video**

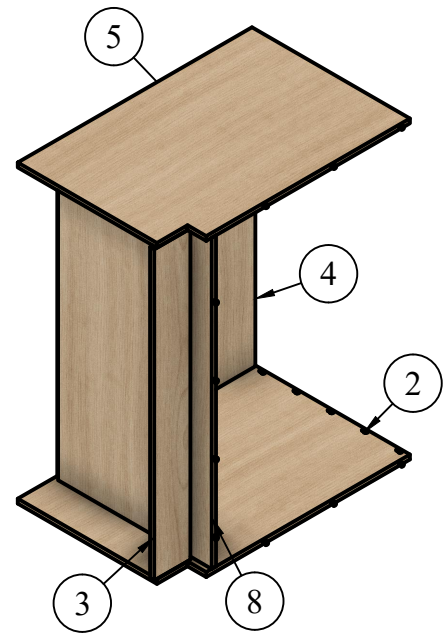


Don't struggle with assembly - scan this QR code to access our helpful animation guide on youtube.





STEP 1



STEP 2

ASSEMBLY STEPS

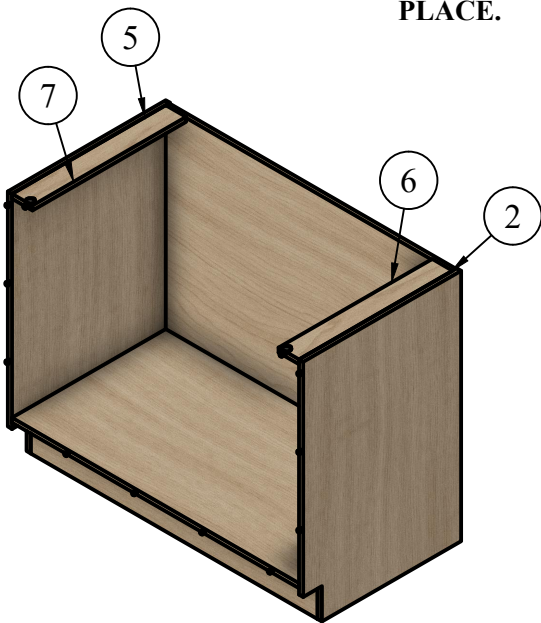
STEP 1: POSITION (4), (8), AND (3) WITHIN (2).

DO NOT LOCK IN PLACE UNTIL STEP 2.

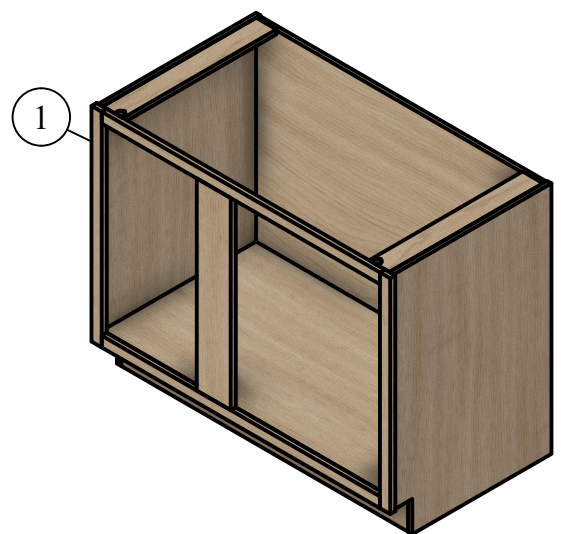
STEP 2: WITH THE RIGHT SIDE POSITIONED TO ALL PEANUTS ON THE STEP 2 ASSEMBLY PROCEED TO **LOCK IN PLACE** (4), (8) THEN (3) IN THAT ORDER

STEP 3: POSITION (7) WITHIN (5) AND **LOCK IN PLACE** POSITION (6) WITHIN (2) AND **LOCK IN PLACE**

STEP 4: WITH FACE FRAME ASSEMBLY (1) POSITIONED TO ALL PEANUTS ON STEP 3 ASSEMBLY PROCEED TO **LOCK IN PLACE**.



STEP 3



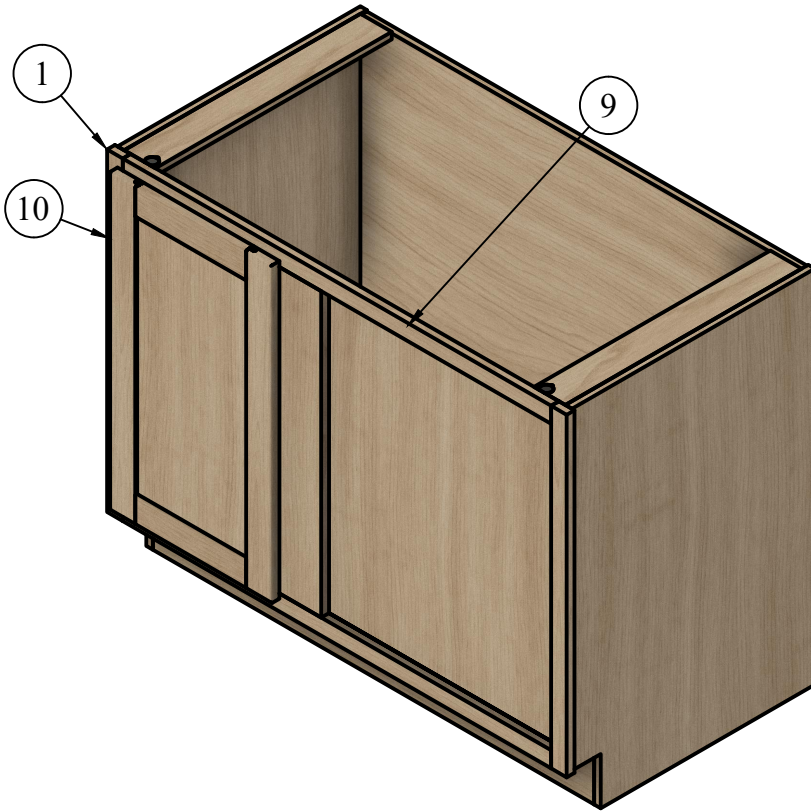
STEP 4



FINAL STEPS

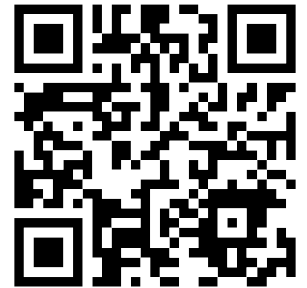
STEP 1: SLIDE PANEL INSERT (9) ON THE BACK SIDE OF THE FACE FRAME (1)

STEP 2: USING PROVIDED HINGES INSTALL CABINET DOOR (10) TO FACE FRAME (1).



Feedback? Help?

Get in
touch



Need help with your cabinet assembly? Scan this QR code to access our customer service page. We're here to provide top-notch support and find the best solution for your needs. Whether you have questions, encounter issues, or have feedback on our documentation, we're dedicated to listening and helping. Let us assist you in making the most of your Rigel Cabinetry experience!

