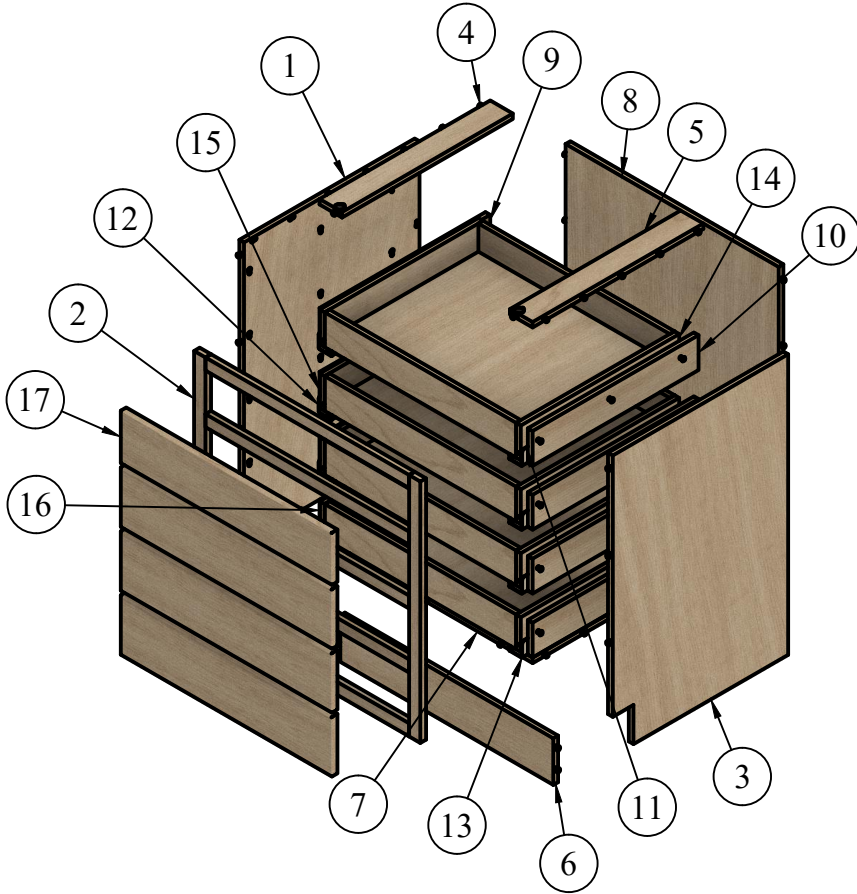
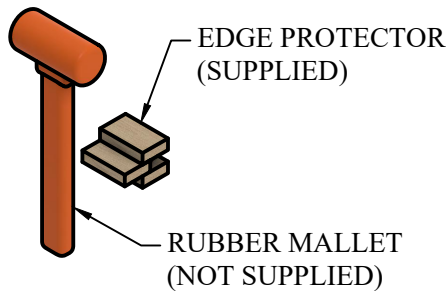




RIGEL CABINETY



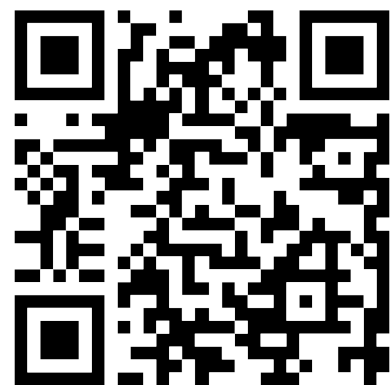
TOOLS REQUIRED



*To protect the edges of your plywood components during assembly, we've included a **EDGE PROTECTOR** in your package. This guard is designed to be placed on the side of components that will be moved into the Peanut Slots and locked into place using a rubber mallet.*

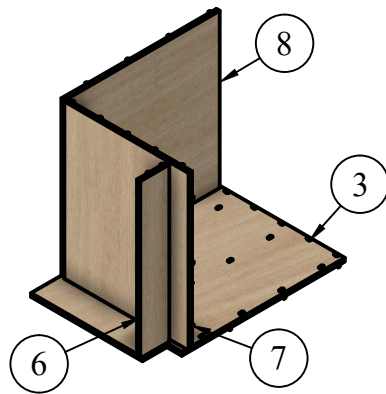
PARTS LIST		
ITEM	QTY	PART NUMBER
1	1	RIGHT SIDE FINISHED
2	1	FACE FRAME
3	1	RIGHT SIDE FINISHED(MIRROR)
4	1	WEB FRAME 1
5	1	WEB FRAME 1(MIRROR)
6	1	TOE KICK
7	1	DECK
8	1	UNFINISHED BACK
9	4	PEANUT BOARD
10	4	PEANUT BOARD(MIRROR)
11	2	21" KING SLIDE V7
12	1	21" KING SLIDE V7 (2)
13	1	21" KING SLIDE V7 (1)
14	2	DRAWER ASSEM V5
15	1	DRAWER ASSEM V5 (2)
16	1	DRAWER ASSEM V5 (1)
17	1	DRAWER FRONT V3
18	1	RUBBER Mallet
19	1	SIDE PROTECTION DEVICE
20	3	DRAWER FRONT V3 (1)

Want more?
**Assembly
Video**

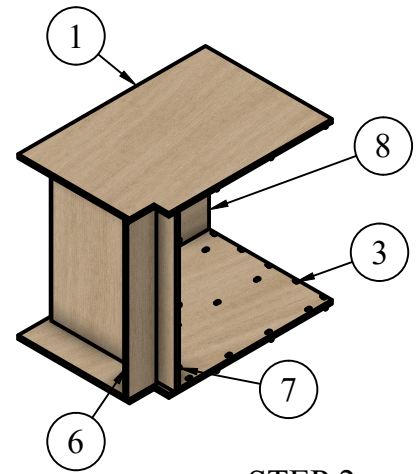


Don't struggle with assembly - scan this QR code to access our helpful animation guide on youtube.





STEP 1



STEP 2

ASSEMBLY STEPS

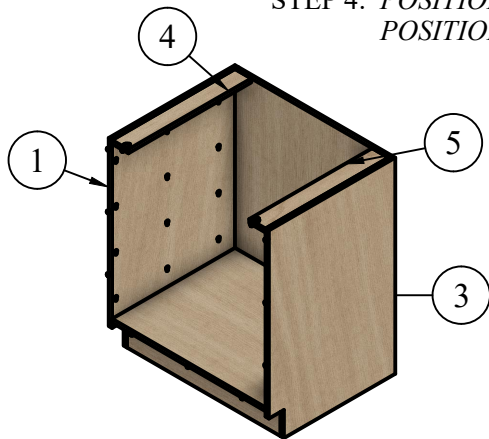
STEP 1: POSITION (8), (7), AND (6) WITHIN (3).

DO NOT LOCK IN PLACE UNTIL STEP 2.

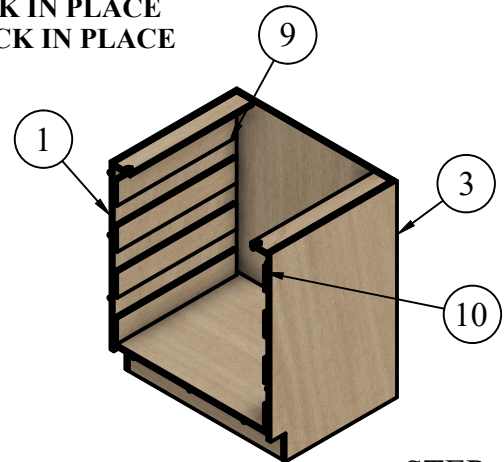
STEP 2: WITH THE RIGHT SIDE POSITIONED TO ALL PEANUTS ON THE STEP 1 ASSEMBLY PROCEED TO **LOCK IN PLACE** (8), (7) THEN (6) IN THAT ORDER

STEP 3: POSITION (4) WITHIN (1) AND **LOCK IN PLACE**
POSITION (5) WITHIN (3) AND **LOCK IN PLACE**

STEP 4: POSITION (9) WITHIN (1) AND **LOCK IN PLACE**
POSITION (10) WITHIN (3) AND **LOCK IN PLACE**



STEP 3



STEP 4

ASSEMBLY STEPS (CONTINUED)

STEP 5: WITH FACE FRAME ASSEMBLY (2) POSITIONED TO ALL PEANUTS ON STEP 4 ASSEMBLY PROCEED TO **LOCK IN PLACE.**

INSTALL DRAWER GUIDES (11)



STEP 5

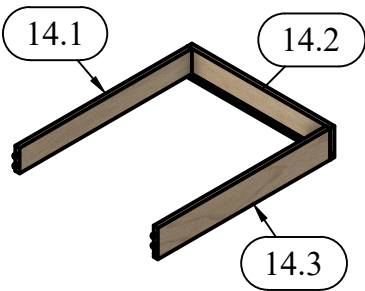


DRAWER ASSEMBLY STEPS

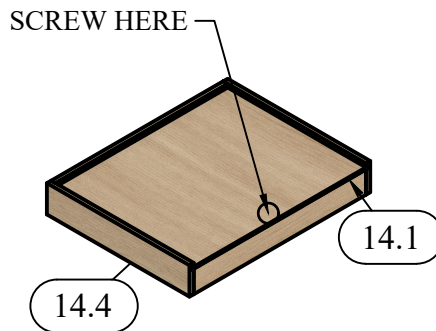
STEP 1: POSITION ENDS (14.1) AND (14.3) WITHIN (14.2) SIDE AND **LOCK IN PLACE**

STEP 2: POSITION SIDE (14.4) WITHIN ENDS (14.1) AND (14.3) FROM STEP 1 AND **LOCK IN PLACE**
SLIDE DRAWER BOTTOM (14.5) UNTIL FLUSH AND FASTEN WITH PROVIDED SCREW.

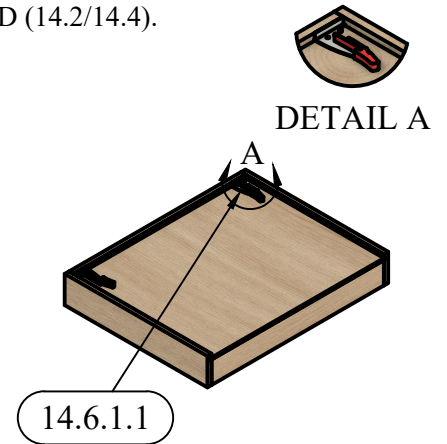
STEP 3: INSTALL UNDER MOUNT SLIDE CATCHES (14.6.1.1) AGAINST (14.3) AND (14.2/14.4).



STEP 1



STEP 2

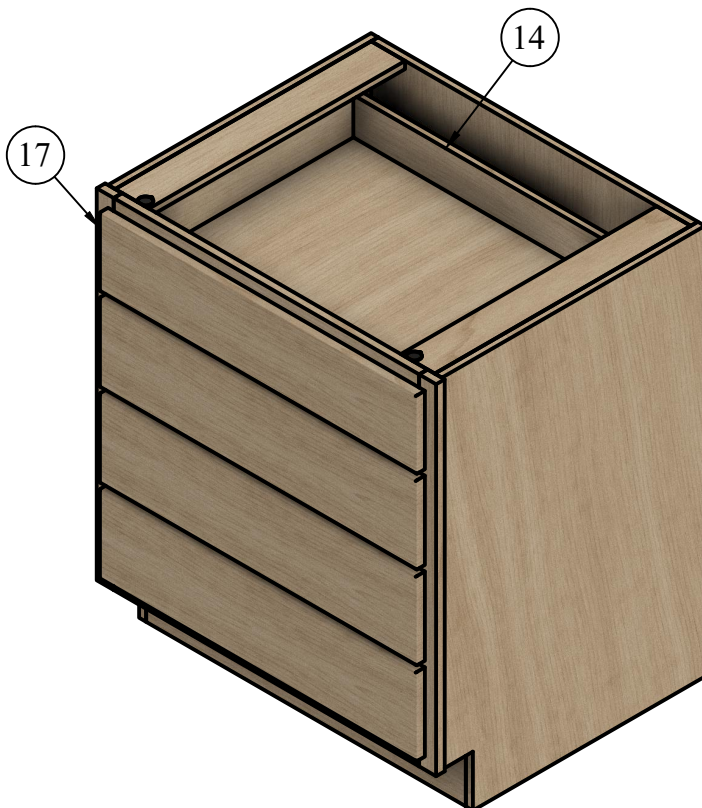


STEP 3

FINAL STEPS

STEP 1: SLIDE DRAWER BOX (14) INTO GUIDES

STEP 2: AFFIX DRAWER FRONT (17) TO DRAWER BOX (14).



Feedback? Help?

Get in
touch



Need help with your cabinet assembly? Scan this QR code to access our customer service page. We're here to provide top-notch support and find the best solution for your needs. Whether you have questions, encounter issues, or have feedback on our documentation, we're dedicated to listening and helping. Let us assist you in making the most of your Rigel Cabinetry experience!

